

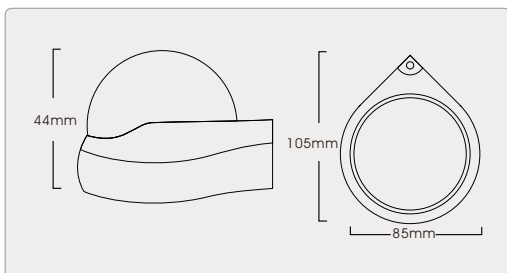
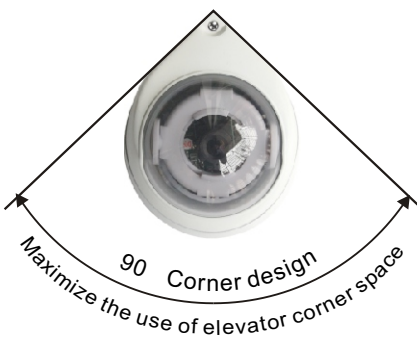
DL series Elevator Dedicated Dome Color Camera

KC-DL3142



FEATURES

- 1/3" SONY SUPER HAD CCD
- Elevator dedicated camera
- Unique aesthetic design, patented product
- AGC(Automatic Gain Control)
BLC(Back light compensation)
AWB(Auto white balance)



SPECS

MODEL	KC-DL3142
Image Sensor	1/3" SONY SUPER HAD CCD
DSP System	Sony SS-11 DSP
TV System	PAL/NTSC
Effective Pixels	PAL:537H*597V NTSC:537H*505V
Horizontal resolution	420TVL
Minimum Illumination	0.5Lux/F1.2
S/N Ratio	48dB(AGC OFF)
Video Output	Composite 1.0Vp-p at 75ohm
White Balance	AWB ON(ATW)/OFF(PUSH)
AGC	Adjustable
Backlight Compensation	Adjustable
Electronic Shutter	1/50 ~ 1/120000sec
Gamma correction	0.45
Sync.System	Internal
Lens	4.3mm
Power Supply	DC12V/150mA
Operation Temperature	-10°C ~ +50°C
Dimension	44(H)mm * 85(W)mm * 105(L)mm
Net Weight	800g

BS series IR Color Camera

KC-BS3154-6

KC-BS3148-6

KC-BS3142-6

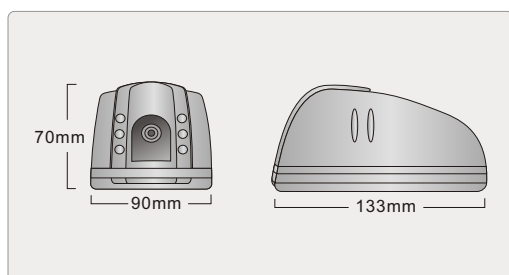


FEATURES

- 1/3" SONY SUPER HAD CCD
- 6pcs* 6mm IR leds
- Unique aesthetic design, patented product
- Tamper device
- Bus dedicated camera

SPECS

MODEL	KC-BS3154-6	KC-BS3148-6	KC-BS3142-6
Image Sensor	1/3" SONY SUPER HAD CCD		
DSP System	Sony HQ1 DSP chipset	Sony SS1 DSP chipset	Sony SS-11X DSP chipset
TV System	PAL/NTSC		
Effective Pixels	PAL:795H*596V NTSC:811H*508V		PAL:537H*597V NTSC:537H*505V
Horizontal resolution	540TVL	480TVL	420TVL
Minimum Illumination	0Lux/F1.2(IR ON)		
S/N Ratio	48dB(AGC OFF)		
Video Output	Composite 1.0Vp-p at 75ohm		
White Balance	AWB ON(ATW)/OFF(PUSH)		
AGC	Auto		
Backlight Compensation	Auto		
Electronic Shutter	1/50 ~ 1/120000sec		
Gamma correction	0.45		
IR LED	6PCS* 6mm IR LED		
IR View Distance	10m		
Lens	3.6mm(Optional)		
Power Supply	DC12V/150mA		
Operation Temperature	-10°C ~ +50°C		
Dimension	90(W)mm * 70(H)mm * 133(L)mm		
Net Weight	230g		



G series Star Light Class Standard Color Camera

KC-G3154
KC-G3148
KC-G3142

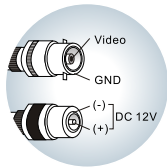


FEATURES

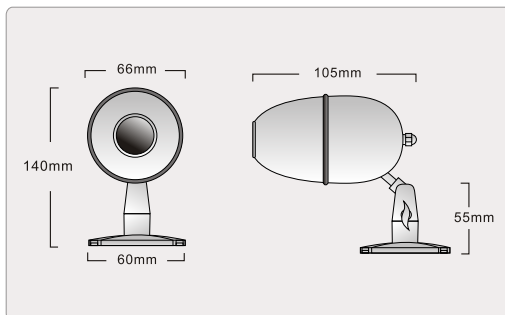
- 1/3" SONY SUPER HAD CCD
- Automatic Electronic Shutter
- Automatic Gain Control & BLC
- Auto White Balance
- Vandal proof
- Built-in 3.5-8mm varifocal lens
- Weather Resistance IP66



Lens mount: 3.5-8mm



Please Use
Regulated DC 12V/150mA
Power Supply



SPECS

MODEL	KC-G3154	KC-G3148	KC-G3142
Image Sensor	1/3" SONY SUPER HAD CCD		
DSP System	SONY HQ1 DSP chipset	SONY SS1 DSP chipset	SONY SS-11 DSP chipset
TV System	PAL/NTSC		
Effective Pixels	PAL:795H*596V NTSC:811H*508V		PAL:537H*597V NTSC:537H*505V
Horizontal resolution	540TVL	480TVL	420TVL
Minimum Illumination	0.1Lux/F1.2	0.5Lux/F1.2	
S/N Ratio	48dB(AGC OFF)		
Video Output	Composite 1.0Vp-p at 75ohm		
White Balance	AWB ON(ATW) / OFF(PUSH)		
AGC	Auto		
Electronic Shutter	1/50 ~ 1/120000sec		
Gamma correction	0.45		
Sync.System	Internal		
Lens	3.5-8mm with CS mount		
Power Supply	DC12V/150mA		
Operation Temperature	-10°C ~ +50°C		
Dimension	66()mm * 105(L)mm * 55(H)mm		
Net Weight	510g		

EC Corner IR Camera

ED IR Camera

KC-ED3142
KC-EC3142



KC-EC3142



KC-ED3142

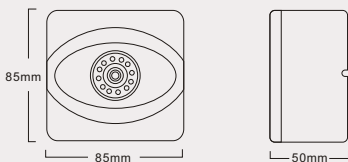
FEATURES

- 1/3" SONY SUPER HAD CCD
- Built-in Pre-Amp Audio
- Automatic Grain Control & BLC
- 12 Pcs High Output IR LED's
- DC 12V /300mA

SPECS

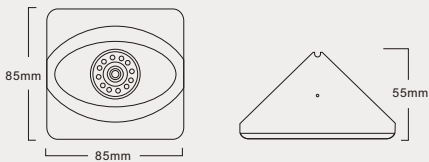
Image Sensor	1/3" SONY SUPER HAD CCD
DSP System	Sony SS-11 DSP chipset
TV System	PAL/NTSC
Effective Pixels	PAL:537H * 597V NTSC:537H * 505V
Horizontal resolution	420TVL
Minimum Illumination	0Lux/F1.2(IR ON)
S/N Ratio	48dB(AGC OFF)
Video Output	Composite 1.0Vp-p at 75ohm
White Balance	AWB ON(ATW)/OFF(PUSH)
AGC	Auto
Backlight Compensation	Auto
Electronic Shutter	1/50 ~ 1/120000sec
Gamma correction	0.45
Sync.System	Internal
IR LED	12PCS* 5mm IR LED
Lens	3.6mm(Optional)
IR View Distance	15m
Power Supply	DC12V/300mA
Operation Temperature	-10°C ~ +50°C

KC-ED3142



Weight:160g
SIZE:85(W) 50(H) 85(L)mm

KC-EC3142



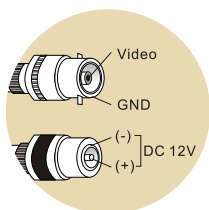
Weight:130g
SIZE:85(W) 55(H) 85(L)mm

Color Bullet Camera

KC-WA3142

KC-W4140

KB-W3138



KC-W4140

KB-W3138



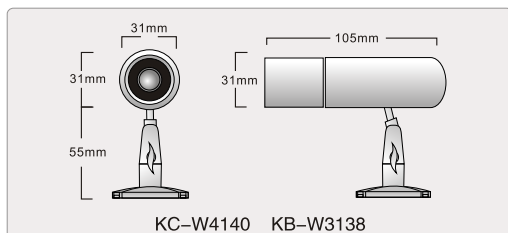
KC-WA3142

FEATURES

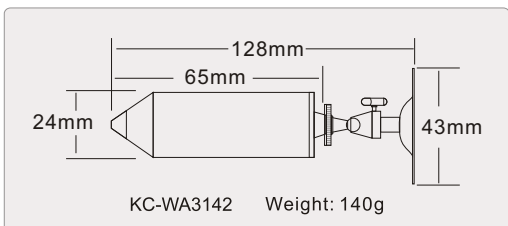
- Pinhole Camera
- Compact size and beautiful design
- Easy installation

KC-W4140 KB-W3138

- Digital signal processing (DSP) capture quality picture
- Compact Elegant Design
- Minimum illumination(color):0.8 Lux
- Minimum illumination(B/W):0.05 Lux
- Weaterproof (IP66)



KC-W4140 KB-W3138



KC-WA3142 Weight: 140g

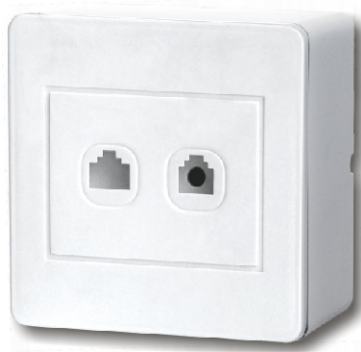
SPECS

MODEL	KC-WA3142	KC-W4140	KB-W3138
Image Sensor	1/3" SONY SUPER HAD CCD	1/4" SHARP CCD	1/3" LG CCD
DSP System	SONY SS-11 DSP chipset	SHARP DSP chipset	A1PROs DSP chipset
TV System	PAL/NTSC		CCIR/EIA
Effective Pixels	PAL:537H X 597V NTSC:537H X 505V	PAL:542H X 582V NTSC:512H X 492V	CCIR:500H X 582V EIA:510H X 492V
Horizontal resolution	420TVL		
Minimum Illumination	0.5Lux/F1.2	0.8Lux/F1.2	0.05Lux F1.2
S/N Ratio	48dB(AGC OFF)		
Video Output	Composite 1.0Vp-p at 75ohm		
White Balance	AWB ON(ATW)/OFF(PUSH)		
AGC	Auto		
Backlight Compensation	Auto		
Electronic Shutter	1/50 ~ 1/120000sec		
Gamma correction	0.45		
Sync.System	Internal		
Lens	3.7mm Pinhole		
Power Supply	DC12V/150mA		
Operation Temperature	-10°C ~ +50°C		
Dimension	23()mmX42(H)mm X100(L)mm	31()mm X 105(L)mm	
Net Weight	140g	335g	

SE SA series Color Camera

KC-SE3142

KC-SA3142



KC-SE3142



KC-SA3142

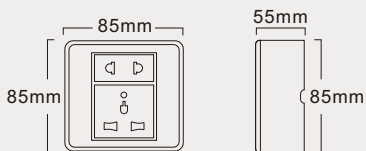
FEATURES

- 1/3" Sony Super HAD CCD 420 TVL
- 3.7mm pinhole lens (standard)
- 0.5lux/F1.2
- DC12V/150mA

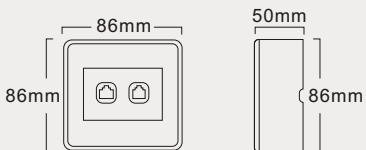
SPECS

MODEL	KC-SE3142	KC-SA3142
Image Sensor	1/3" SONY SUPER HAD CCD	
DSP System	Sony SS11 DSP chipset	
TV System	PAL/NTSC	
Effective Pixels	PAL:512H X 582V NTSC:512H X 492V	
Horizontal resolution	420TVL	
Minimum Illumination	0.5Lux/F1.2	
S/N Ratio	48dB(AGC OFF)	
Video Output	Composite 1.0Vp-p at 75ohm	
White Balance	AWB ON(ATW)/OFF(PUSH)	
AGC	Auto	
Backlight Compensation	Auto	
Electronic Shutter	1/50 ~ 1/120000sec	
Gamma correction	0.45	
Sync.System	Internal	
Lens	3.7mm pinhole	
Power Supply	DC12V/150mA	
Operation Temperature	-10°C ~ +50°C	
Net Weight	130g	

KC-SE3142



KC-SA3142



Infrared LED

IR-18

IR-6



IR-18



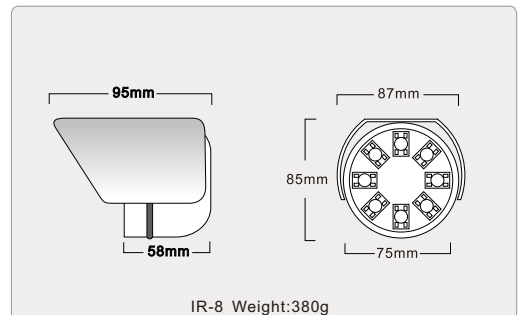
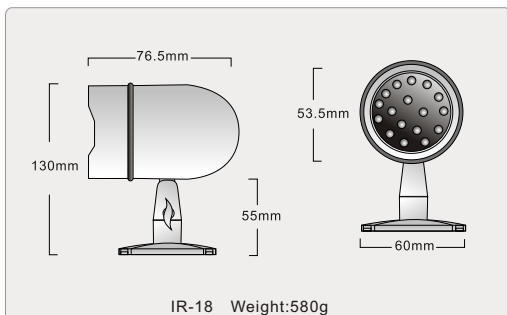
IR-6

FEATURES

- 18 High Output IR LED's W/15' Range
- Unique Design Suitable For Indoor/Outdoor
- Photocell Turns on IR LED's at 10 Lux
- IR View Distance 20m.

FEATURES

- 6 Super Long Range IR LED's
- Unique Design Suitable For Indoor/Outdoor
- Photocell Turns on IR LED's at 10 Lux
- IR View Distance 50m.



Mini camera

KC-4140S

KC-3142S



KC-4140S

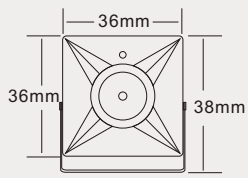
KC-3142S

FEATURES

- Built-in Pin Hole Lens 3.7mm
- Automatic Electronic Shutter
- Automatic Gain Control & BLC
- Auto White Balance

SPECS

MODEL	KC-4140S	KC-3142S
Image Sensor	1/4" SHARP CCD	1/3" SONY SUPER HAD CCD
DSP System	SHARP DSP chipset	SONY SS-11 DSP chipset
TV System	PAL/NTSC	
Effective Pixels	PAL:542H X 582V NTSC:512H X 492V	PAL:537H X 597V NTSC:537H X 505V
Horizontal resolution	420TVL	
Minimum Illumination	0.8Lux/F1.2	0.5Lux/F1.2
S/N Ratio	48dB(AGC OFF)	
Video Output	Composite 1.0Vp-p at 75ohm	
White Balance	AWB ON(ATW)/OFF(PUSH)	
AGC	Auto	
Backlight Compensation	Auto	
Electronic Shutter	1/50 ~ 1/120000sec	
Gamma correction	0.45	
Sync.System	Internal	
Lens	3.7mm Pinhole	
Power Supply	DC12V/150mA	
Operation Temperature	-10°C ~ +50°C	
Dimension	38(W)mm X 13(H)mm X 36(L)mm	
Net Weight	90g	



KC-4140S

